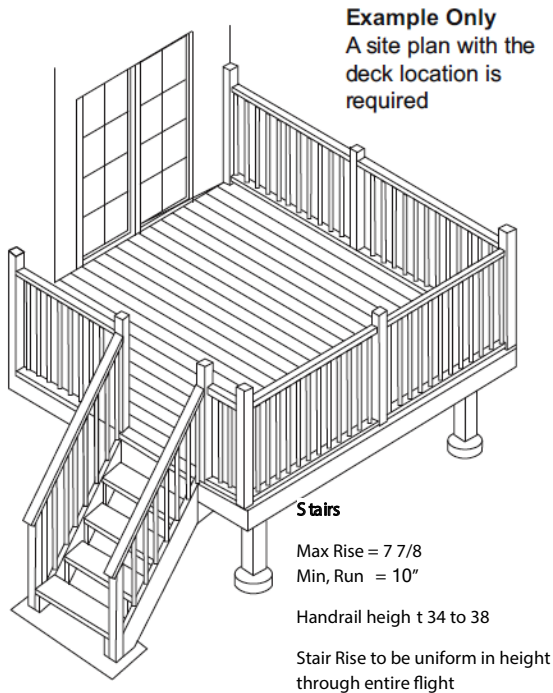
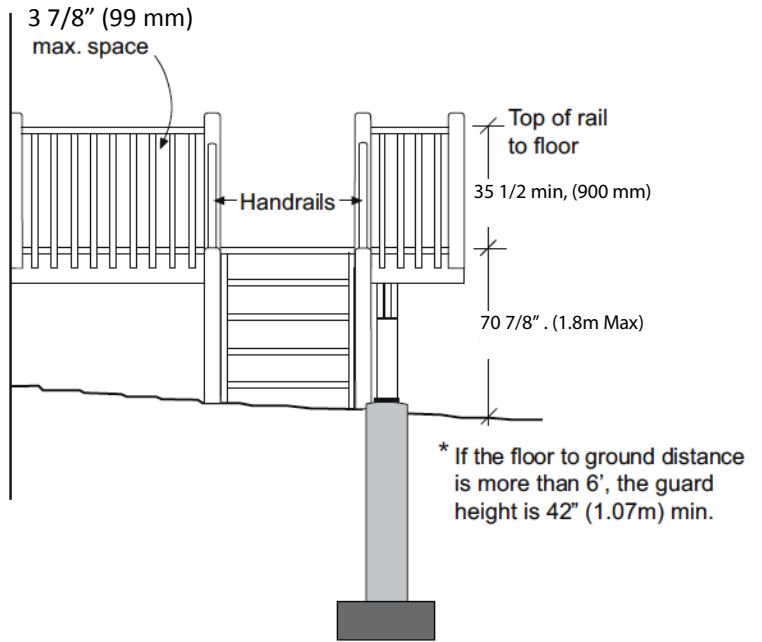


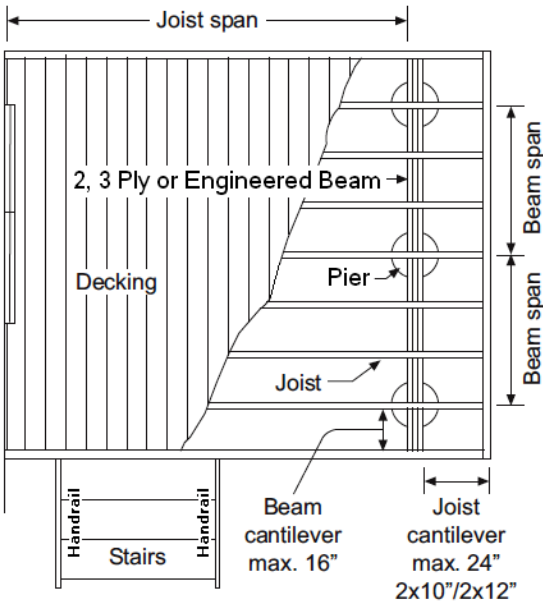
# Uncovered Deck - Construction Details Information Sheet



## Guardrail Design



## Framing Details



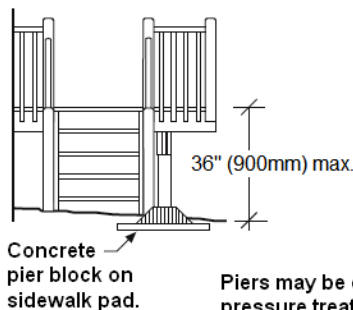
Note: Stairs with more than 3 risers (regardless of deck height) require handrails. Beams shall be nailed together

## Maximum Framing Spans

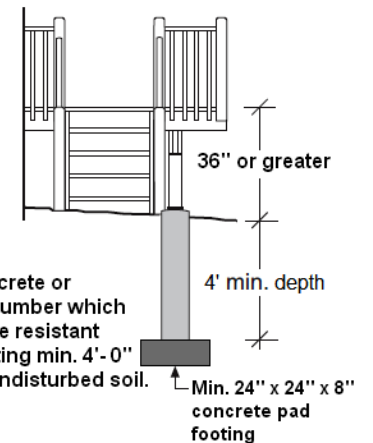
Joist	Span 16" o.c.	Span 24" o.c.	Beam	Post Spacing
2 x 6"	9' - 4"	8' - 2"	2 - 2 x 8"	7' - 6"
2 x 8"	11' - 7"	10' - 9"	3 - 2 x 8"	9' - 5"
2 x 10"	13' - 8"	12' - 11"	3 - 2 x 10"	11' - 6"
2 x 12"	15' - 7"	14' - 8"	3 - 2 x 12"	13' - 4"

## Foundation Options

### Decks up to 36" height



### Decks over 36" height



Piers may be concrete or pressure treated lumber which bear on a sulphate resistant concrete pad footing min. 4'-0" below grade on undisturbed soil.

### Uncovered decks over 36" height

Cast in place or screw piles are site specific and required to be designed by a professional engineer.

Note: Decks 2'-0" or less are considered landscaping and do not require a permit

## Deck Construction Details

Deck floor above ground height \_\_\_\_\_

Joist size and spacing \_\_\_\_\_

Beam size and pier spacing \_\_\_\_\_

Foundation type (pile and pad ftgs. size) \_\_\_\_\_

Guardrail and handrail height \_\_\_\_\_

Applicant Name (print) \_\_\_\_\_

Address \_\_\_\_\_

Telephone \_\_\_\_\_ Date \_\_\_\_\_