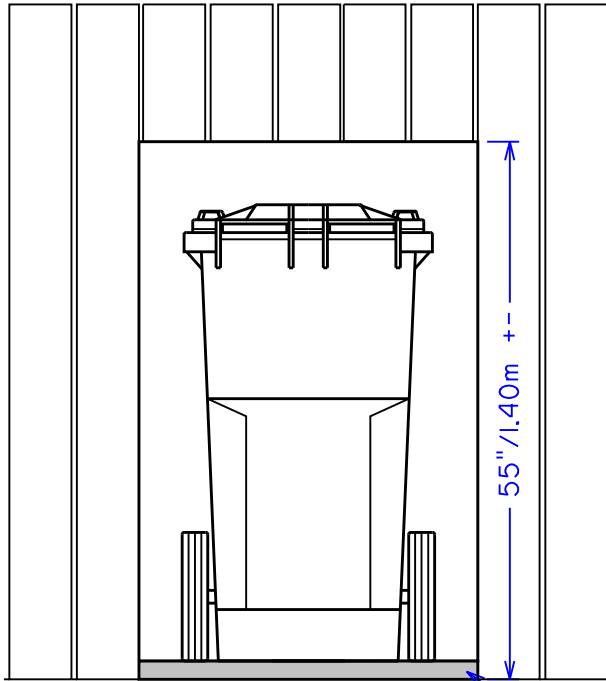


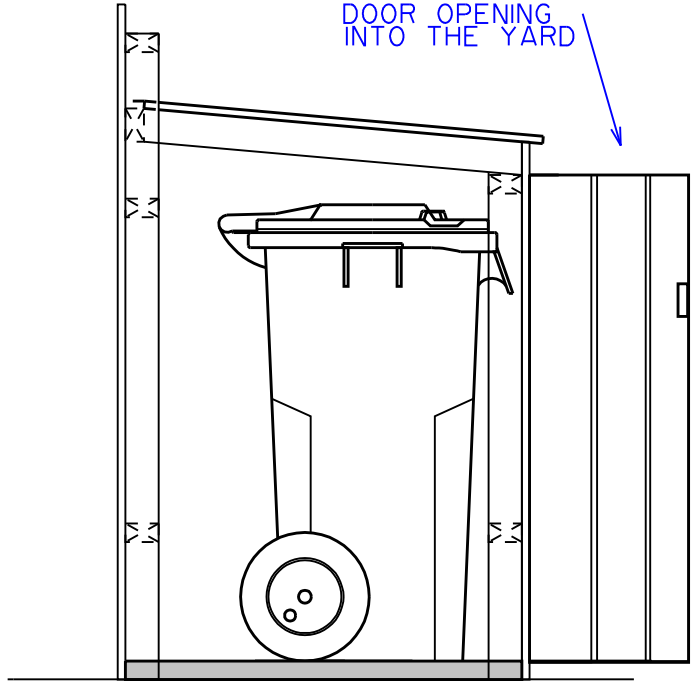
ALLEY FACING DOORS
ARE OPTIONAL



36" / 0.91m +-
OPTIONAL
CONCRETE
PAD

ALLEY VIEW

DOOR OPENING
INTO THE YARD



SIDE VIEW

	 <p>CITY OF <i>Lethbridge</i></p> <p>WASTE & RECYCLING SERVICES</p>	DRAWN	D.Mc.	
		CHECKED		
	APPROVED			
	TITLE	<p>GARBAGE BOX 360 L / 95 GAL WHEELED CART</p>	SCALE	N.T.S.
			DATE	04-12-05
			WORK ORDER	snIn_03.dgn